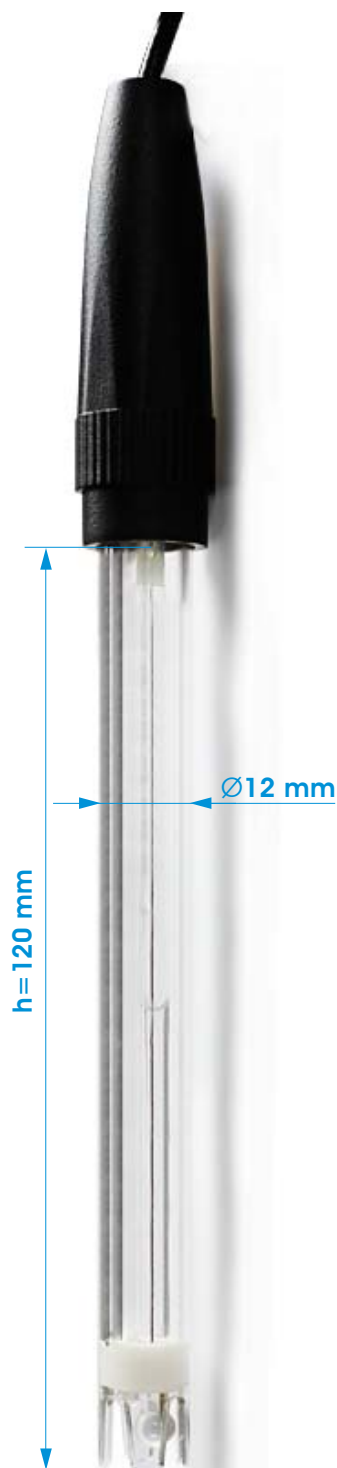


## CS1030 3-in-1 pH sensor



|                                   |                          |
|-----------------------------------|--------------------------|
| <b>Order number</b>               | CS10301B                 |
| former order number               | -                        |
| <b>Specifications</b>             |                          |
| pH range                          | 0 - 14                   |
| zero point (pH)                   | 7.00 ± 0.25              |
| temperature range                 | 0 - 80 °C                |
| temperature probe                 | TH10KΩ (optional:TH30KΩ) |
| shaft material                    | PC clear                 |
| membrane glass                    | B11                      |
| membrane resistance               | < 600 MΩ                 |
| reference system                  | Ag/ AgCl/ KCl            |
| reference diaphragm               | Silicone double channels |
| junction                          | Single                   |
| electrode head                    | Standard Lab             |
| cable length                      | 1m                       |
| connector                         | BNC                      |
| cell constant (cm <sup>-1</sup> ) | -                        |
| cell type                         | -                        |
| indicating metal                  | -                        |
| <b>Storage</b>                    | 3.3 mol/L KCl            |