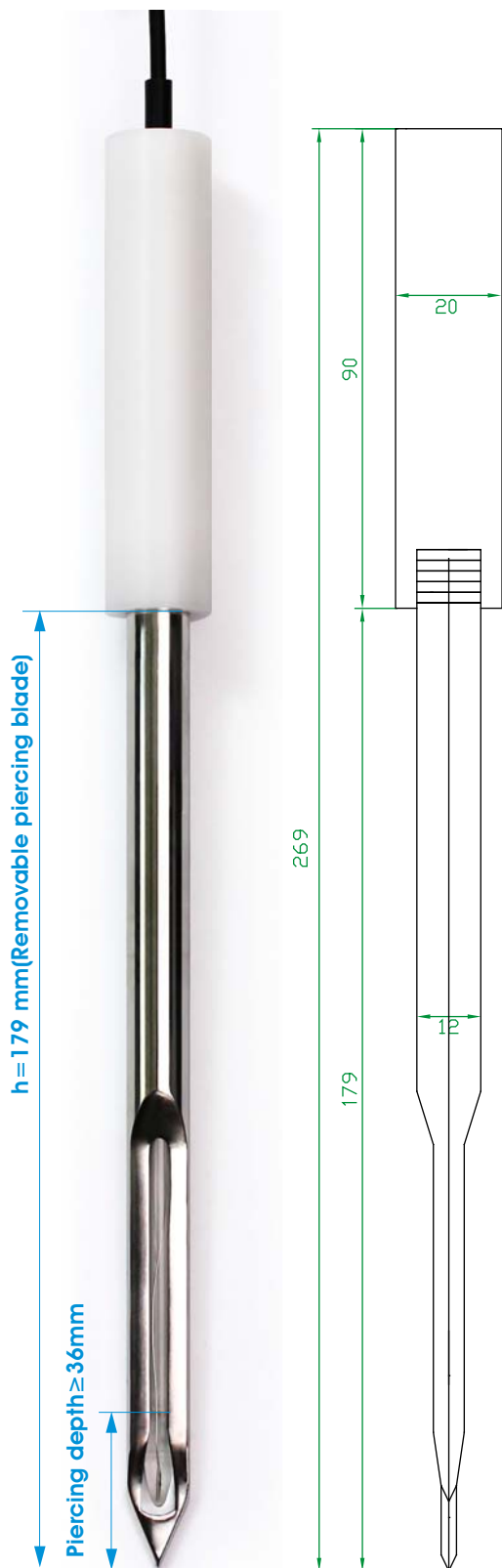


CS1216 Long Knife Solid Piercing pH sensor

For Meat, fruits, soil, etc..



Order number CS12161B
former order number -

electrode head (without piercing blade) CS1216G
removable piercing blade S216 (316L Stainless Steel)

Specifications

pH range 0 - 12
zero point (pH) 7.00 ± 0.25

temperature range 0 - 60 °C

hand shank material POM
shaft material 316L Stainless Steel
membrane glass W28
membrane resistance < 600 MΩ

reference system Ag/AgCl/KCl
reference diaphragm one porous ceramic
liquid junction Single

cable length 1m
connector BNC

cell constant (cm⁻¹) -
cell type -

indicating metal -

Storage 3.3 mol/L KCl

Special features

Removable piercing blade: S216
316L stainless steel, easy cleaning.
Minimum piercing depth: 36mm