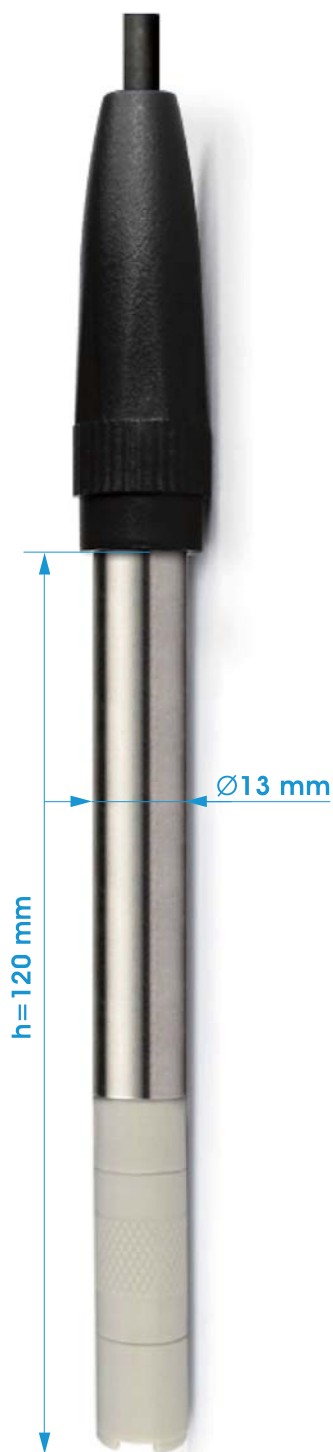


## CS4051 Dissolved Oxygen Sensor



Scope	0-40 mg/L
Temperature	0 - 60 °C
Pressure	0 ~ 4 bar
Reaction time	< 60 s (95%, 25 °C)
Stabilization time	3 min
zero drift	<0.5%
Temperature probe	NTC10K (22K,30K,Pt100/ Pt1000 Optional)

Flow rate limit	> 0.03 m/s
Residual current	< 2% In the air
Membrane head	Replaceable film head (two film heads are provided with the goods)
Waterproof grade	IP68
Cable length	3m, extendable
Joint	8-PIN

Model	[ CS4051 ]
Shell material	SS316L, POM
size	Φ 13*130 mm
Electrode principle:	polarographic
nanoampere electrode:	400nA
(Compatible with DO200, DO500)	

