

CS1528 pH sensor

for HF(Hydrofluoric acid) containing media

Order number	CS15281B
former order number	-

Specifications	
pH range	0 - 12
zero point (pH)	7.00 ± 0.25
temperature range	0 - 90 °C
Pressure	0 -6 bar

temperature probe	Pt1000/Pt100 optional
-------------------	-----------------------

shaft material	Glass
membrane glass	W28
membrane resistance	< 600 MΩ

reference system	SNEX (White) Ag/ AgCl/ KCl
reference diaphragm	one porous ceramic
bridge electrolyte	3.3M KCl gel
junction	Double

electrode head	PG13.5 thread
cable length	5m
connector	BNC

cell constant (cm ⁻¹)	-
cell type	-

indicating metal	-
------------------	---

Storage	-
----------------	---



CS1529 pH sensor

for Seawater & Seawater related

Order number	CS15291B
former order number	-

Specifications	
pH range	0 - 14
zero point (pH)	7.00 ± 0.25
temperature range	0 - 90 °C
Pressure	0 -6 bar

temperature probe	Pt1000/Pt100 optional
-------------------	-----------------------

shaft material	Glass
membrane glass	W02
membrane resistance	< 500 MΩ

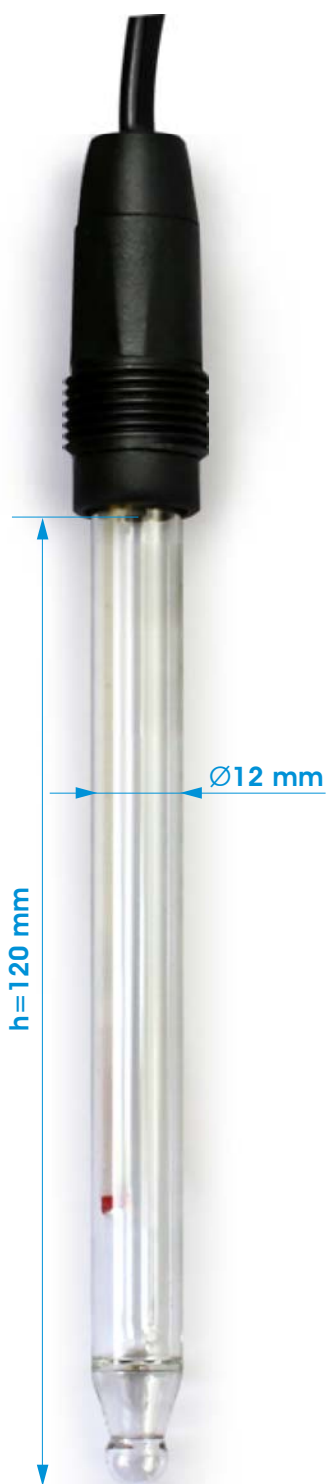
reference system	SNEX (Blue) Ag/ AgCl/ KCl
reference diaphragm	one porous ceramic
bridge electrolyte	3.3M KCl gel
junction	Double

electrode head	PG13.5 thread
cable length	5m
connector	BNC

cell constant (cm ⁻¹)	-
cell type	-

indicating metal	-
------------------	---

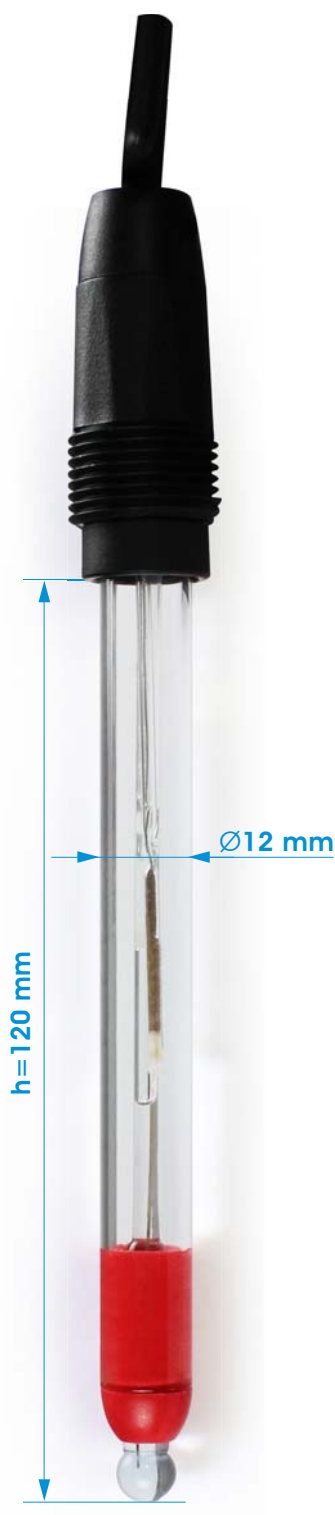
Storage	-
----------------	---



CS1543 pH combination sensor for Chemical Process

Order number	CS15431B
former order number	-

Specifications	
pH range	0 - 14
zero point (pH)	7.00 ± 0.25
temperature range	-10 - 100 °C
Pressure	0 -6 bar
temperature probe	Pt1000/Pt100 optional
shaft material	Glass
membrane glass	W02
membrane resistance	< 800 MΩ
reference system	SNEX Ag/AgCl Ref with Ag ⁺ ion trap
reference diaphragm	one porous ceramic
bridge electrolyte	3.3M KCl gel
junction	Double
electrode head	PG13.5 thread
cable length	5m
connector	BNC
cell constant (cm ⁻¹)	-
cell type	-
indicating metal	-
Storage	-



CS1568 pH sensor

for Sludge, Viscous Fluids, Protein media, Paint, Sugar Process

Order number	CS15681B
former order number	-

Specifications	
pH range	0 - 14
zero point (pH)	7.00 ± 0.25
temperature range	0 - 90 °C
Pressure	0 - 10 bar

temperature probe	Pt1000
-------------------	--------

shaft material	Glass
membrane glass	B11
membrane resistance	< 600 MΩ

reference system	SNEX Ag/ AgCl/ KCl
reference diaphragm	SNEX
bridge electrolyte	-
junction	Double

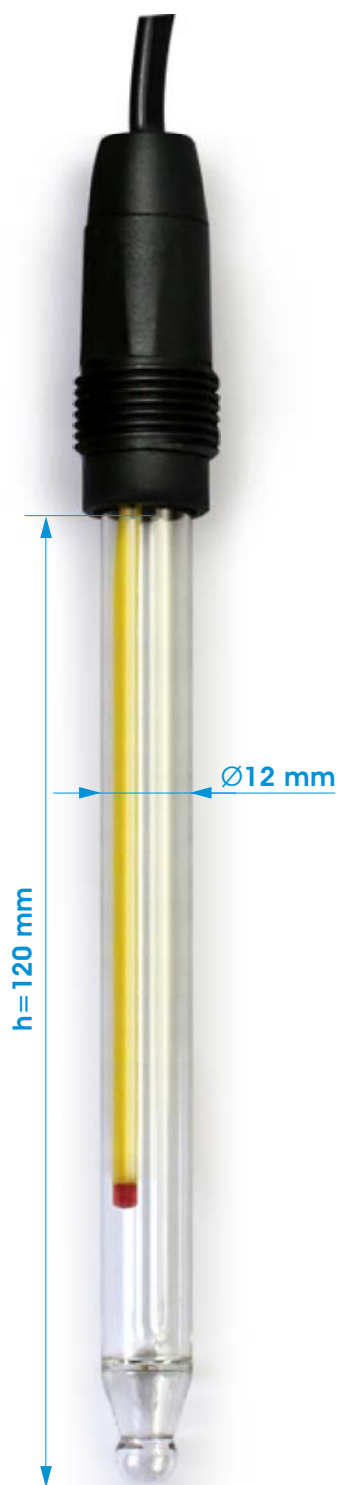
electrode head	PG13.5 thread
cable length	5m
connector	BNC

cell constant (cm ⁻¹)	-
cell type	-

indicating metal	-
------------------	---

Storage	-
----------------	---

CS1597 Non- aqueous media (organic phase) pH sensor



Order number	CS15971B
former order number	-

Specifications	
pH range	0 - 12
zero point (pH)	7.00 ± 0.25
temperature range	-10 - 100 °C
Pressure	0 -3 bar

temperature probe	Optional
-------------------	----------

shaft material	Glass
membrane glass	W28
membrane resistance	< 500 MΩ

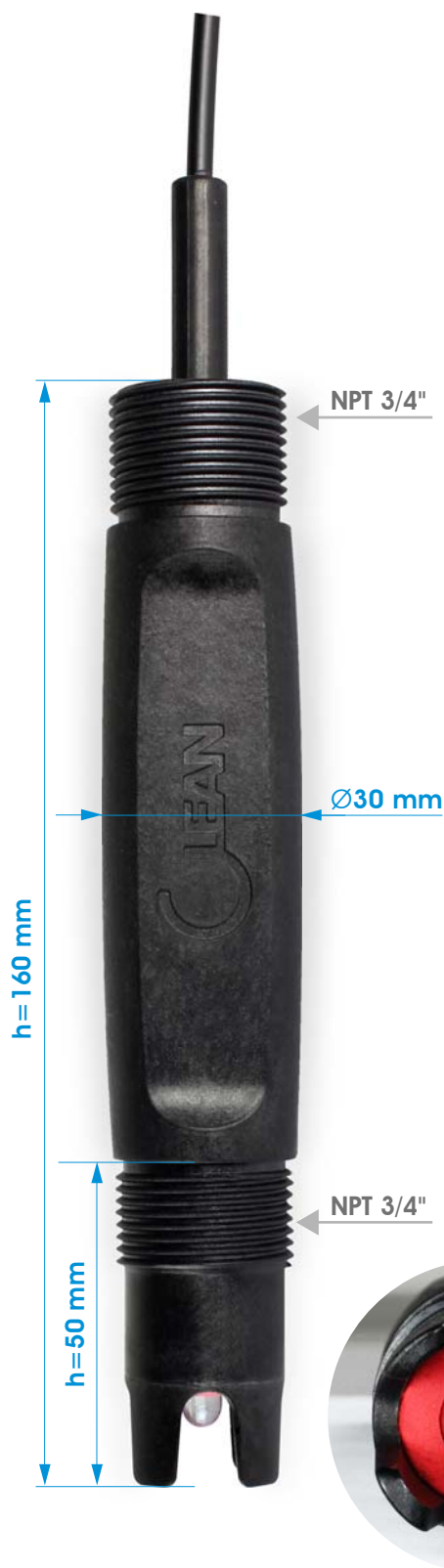
reference system	SNEX (Yellow) Ag/ AgCl/ KCl
reference diaphragm	one porous ceramic
bridge electrolyte	Sat. LiCl solution
junction	Double

electrode head	PG13.5 thread
cable length	5m
connector	BNC

cell constant (cm ⁻¹)	-
cell type	-

indicating metal	-
------------------	---

Storage	-
----------------	---



CS1768 pH sensor

for high pressure pipeline:
Positive pressure < +20 bar
Negative pressure > -10 bar

Order number	CS17681B
former order number	-

Specifications	
pH range	0 - 14
zero point (pH)	7.00 ± 0.25
temperature range	0 - 90 °C
Pressure	+20 ~ -10 bar

temperature probe	Pt1000/ Pt100/NTC10K, Optional
-------------------	--------------------------------

shaft material	PPS
membrane glass	B11
membrane resistance	< 500 MΩ

reference system	SNEX Ag/ AgCl/ KCl
reference diaphragm	SNEX
bridge electrolyte	-
junction	-

electrode head	NPT 3/4" thread
cable length	5m
connector	BNC

cell constant (cm ⁻¹)	-
cell type	-

indicating metal	-
------------------	---

Storage	-
----------------	---



CS1778 pH sensor

for flue gas desulfurization process

Order number CS17781B
former order number -

Specifications
pH range 0 - 12
zero point (pH) 7.00 ± 0.25
temperature range 0 - 90 °C
Pressure 0 - 20 bar

temperature probe Pt1000/ Pt100/NTC10K, Optional

shaft material PPS
membrane glass W28
membrane resistance < 800 MΩ

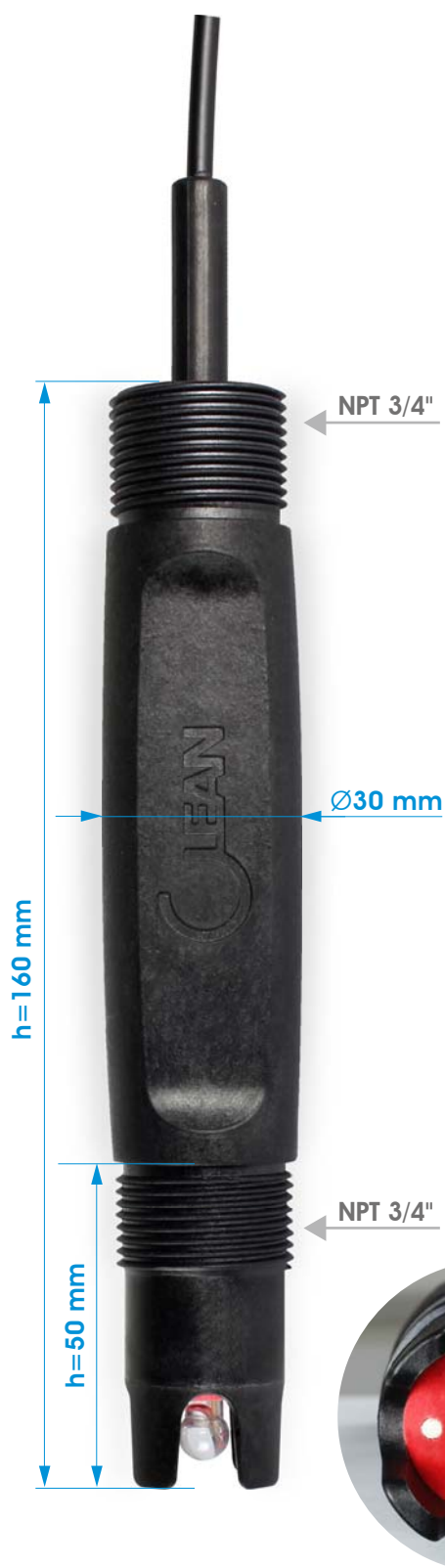
reference system SNEX Ag/ AgCl/ KCl
reference diaphragm SNEX
bridge electrolyte -
junction Double

electrode head NPT 3/4" thread
cable length 5m
connector BNC

cell constant (cm⁻¹) -
cell type -

indicating metal -

Storage -



CS1788 pH sensor

for pure water, low ion concentration water

Order number CS17881B
former order number -

Specifications

pH range 0 - 12
zero point (pH) 7.00 ± 0.25
temperature range 0 - 90 °C
Pressure 0 - 20 bar

temperature probe Pt1000/ Pt100/NTC10K, Optional

shaft material PPS
membrane glass W28
membrane resistance < 500 MΩ

reference system SNEX Ag/ AgCl/ KCl
reference diaphragm 2 porous ceramic
bridge electrolyte 3.3M KCl gel
junction Double

electrode head NPT 3/4" thread
cable length 5m
connector BNC

cell constant (cm⁻¹) -
cell type -

indicating metal -

Storage -



NPT 3/4"

Ø30 mm

h=160 mm

h=50 mm

NPT 3/4"



CS1753 pH sensor for Chemical Process

Order number	CS17531B
former order number	-

Specifications	
pH range	0 - 14
zero point (pH)	7.00 ± 0.25
temperature range	0 - 90 °C
Pressure	0 - 6 bar

temperature probe	Pt1000/ Pt100/NTC10K, Optional
-------------------	--------------------------------

shaft material	PPS
membrane glass	B11
membrane resistance	< 600 MΩ

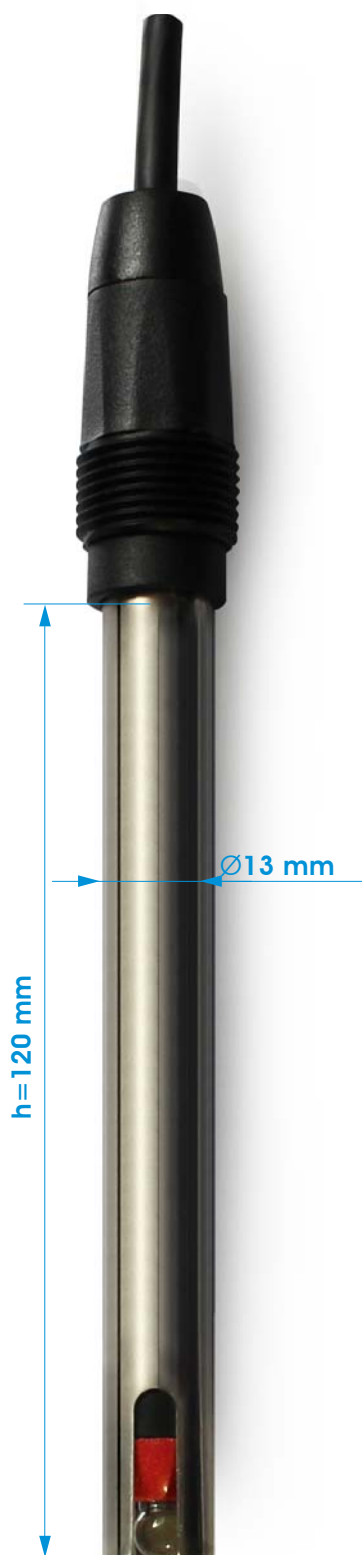
reference system	SNEX Ag/ AgCl/ KCl
reference diaphragm	2 porous ceramic
bridge electrolyte	3.3M KCl gel
junction	Double

electrode head	NPT 3/4" thread
cable length	5m
connector	BNC

cell constant (cm ⁻¹)	-
cell type	-

indicating metal	-
------------------	---

Storage	-
----------------	---



CS1540 pH sensor

for tough environment use

Order number	CS15401B
former order number	-

Specifications	
pH range	0 - 14
zero point (pH)	7.00 ± 0.25
temperature range	0 - 80 °C
Pressure	0 - 10 bar

temperature probe	Pt1000/ Pt100/NTC10K, Optional
-------------------	--------------------------------

shaft material	316L Stainless steel
membrane glass	B11
membrane resistance	< 500 MΩ

reference system	SNEX Ag/ AgCl/ KCl
reference diaphragm	SNEX
bridge electrolyte	-
junction	-

electrode head	PG13.5 thread
cable length	5m
connector	BNC

cell constant (cm ⁻¹)	-
cell type	-

indicating metal	-
------------------	---

Storage	-
----------------	---



CS1668 Combination pH sensor

for Sludge, Viscous Fluids,
Protein, Hydrogen sulfide media

Order number	CS16681B
former order number	-

Specifications	
pH range	0 - 14
zero point (pH)	7.00 ± 0.25
temperature range	0 - 90 °C
Pressure	0 -20 bar

temperature probe	Pt1000
-------------------	--------

shaft material	PA+GF
membrane glass	B11
membrane resistance	< 500 MΩ

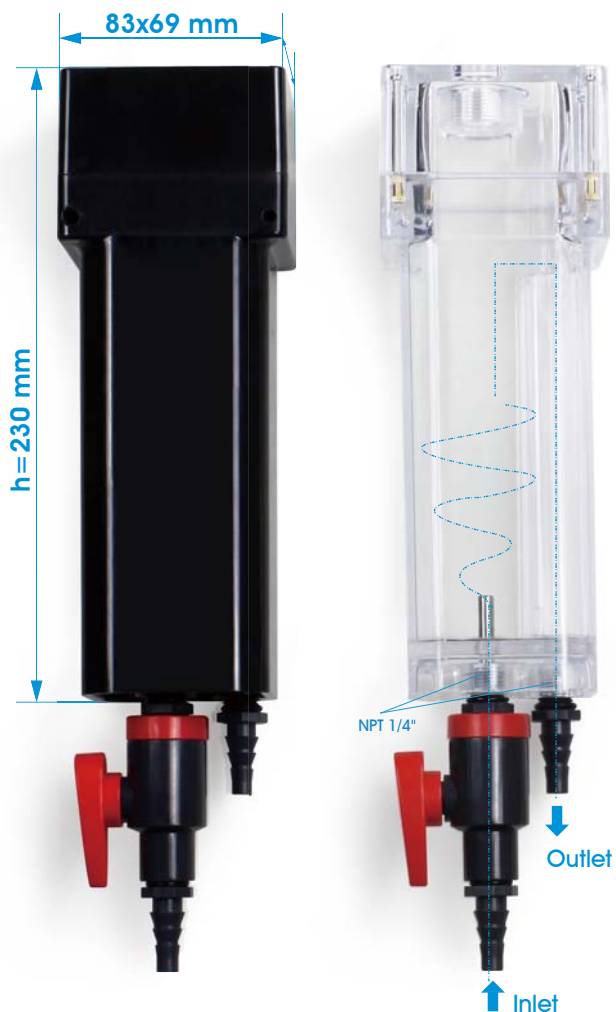
reference system	SNEX Ag/ AgCl/ KCl
reference diaphragm	SNEX
bridge electrolyte	-
junction	Double

electrode head	PG13.5 thread
cable length	5m
connector	BNC

cell constant (cm ⁻¹)	-
cell type	-

indicating metal	-
------------------	---

Storage	-
----------------	---



A580 Flow cell

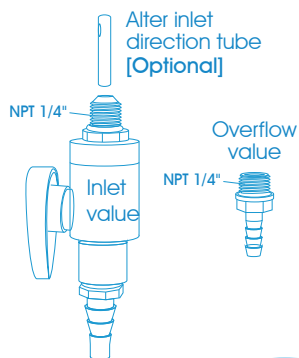
A580 series flow cell is designed to support the measurement of water quality. With installing the appropriate sensor (PG13.5 or 3/4" NPT thread), you can easily conduct in-line analysis.

A580 is in an air-tight structure, it can effectively avoid bubble generation in the flow to minimize interference to your analyze results.

Material	Polycarbonate
Top Mount	PG13.5 or 3/4" NPT fitting
Body Inlet/Outlet	1/4" NPT
Connection tubing	10x6.5 mm tubing
Temperature	0-50 °C
Pressure	0-3bar
Dimensions	83(L)X69(W) x 230(H) mm

Name Description

A580	Clear body / PG13.5 thread cap
A580-L	Clear body / PG13.5 thread cap / with alter inlet direction tube
A581	Clear body / NPT 3/4" thread cap
A581-L	Clear body / NPT 3/4" thread cap / with alter inlet direction tube
A590-L	Black body / NPT 3/4" thread cap / with alter inlet direction tube



A581

A580



CS1628 pH sensor

for HF(Hydrofluoric acid) containing
HF concentration < 1000ppm

Order number	CS16281B
former order number	-

Specifications	
pH range	0 - 12
zero point (pH)	7.00 ± 0.25
temperature range	0 - 80 °C
Pressure	0 -20 bar

temperature probe	Pt1000
-------------------	--------

shaft material	PA+GF
membrane glass	W28
membrane resistance	< 800 MΩ

reference system	SNEX Ag/ AgCl/ KCl
reference diaphragm	SNEX
bridge electrolyte	-
junction	Double

electrode head	PG13.5 thread
cable length	5m
connector	BNC

cell constant (cm ⁻¹)	-
cell type	-

indicating metal	-
------------------	---

Storage	-
----------------	---



CS1728 pH sensor

for HF(Hydrofluoric acid) containing
HF concentration < 1000ppm

Order number CS17281B
former order number -

Specifications

pH range 0 - 12
zero point (pH) 7.00 ± 0.25
temperature range 0 - 80 °C
Pressure 0 - 10 bar

temperature probe Pt1000

shaft material PPS
membrane glass W28
membrane resistance < 500 MΩ

reference system SNEX Ag/AgCl/KCl
reference diaphragm SNEX
bridge electrolyte -
junction Double

electrode head NPT 3/4" thread
cable length 5m
connector BNC

cell constant (cm⁻¹) -
cell type -

indicating metal -

Storage -



CS1733 pH sensor

General purpose

Order number	CS17331B
former order number	-

Specifications	
pH range	0 - 14
zero point (pH)	7.00 ± 0.25
temperature range	0 - 80 °C
Pressure	0 - 6 bar

temperature probe	-
-------------------	---

shaft material	PPS
membrane glass	B11
membrane resistance	< 600 MΩ

reference system	SNEX Ag/ AgCl/ KCl
reference diaphragm	2 porous ceramic
bridge electrolyte	3.3M KCl gel
junction	Double

electrode head	NPT 3/4" thread
cable length	5m
connector	BNC

cell constant (cm ⁻¹)	-
cell type	-

indicating metal	-
------------------	---

Storage	-
----------------	---



CS1637 pH sensor

for HF(Hydrofluoric acid) containing
HF concentration > 1000ppm

Order number	CS16371B
former order number	-

Specifications	
pH range	2 - 9
zero point (pH)	7.00 ± 0.25
temperature range	0 - 80 °C
Pressure	0 -10 bar

temperature probe	Pt1000
-------------------	--------

shaft material	PA+GF
Sensitive film part	Antimony
membrane resistance	< 500 MΩ

reference system	SNEX Ag/ AgCl/ KCl
reference diaphragm	SNEX
bridge electrolyte	-
junction	Double

electrode head	PG13.5 thread
cable length	5m
connector	BNC

cell constant (cm ⁻¹)	-
cell type	-

indicating metal	-
------------------	---

Storage	-
----------------	---

CS1737 Combination pH sensor for HF(Hydrofluoric acid) containing HF concentration > 1000ppm



Order number	CS17371B
former order number	-

Specifications	
pH range	2 - 9
zero point (pH)	7.00 ± 0.25
temperature range	0 - 80 °C
Pressure	0 - 10 bar

temperature probe	Pt1000
-------------------	--------

shaft material	PPS
Sensitive film part	Antimony
membrane resistance	< 500 MΩ

reference system	SNEX Ag/ AgCl/ KCl
reference diaphragm	SNEX
bridge electrolyte	-
junction	Double

electrode head	NPT 3/4" thread
cable length	5m
connector	BNC

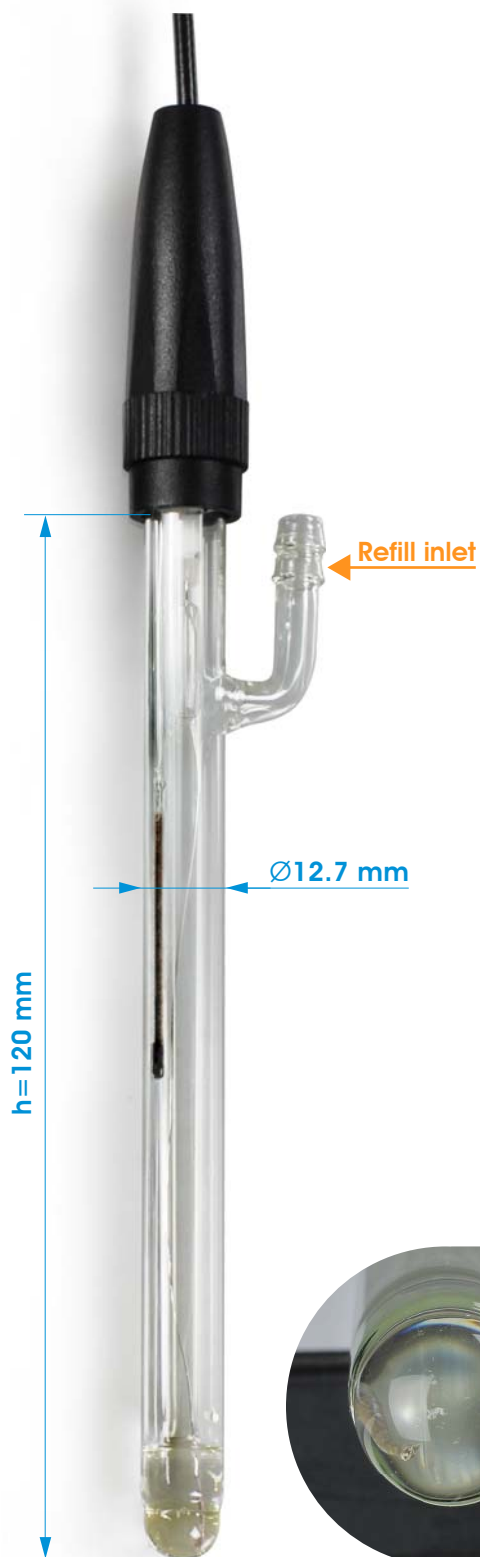
cell constant (cm ⁻¹)	-
cell type	-

indicating metal	-
------------------	---

Storage	-
----------------	---

CS1549 Combination pH sensor

High Temperature



Order number	CS15491B
former order number	-

Specifications	
pH range	0 - 14
zero point (pH)	7.00 ± 0.25
temperature range	-10 - 100 °C
Pressure	0 -6 bar

temperature probe	Pt1000 / Pt100(optional)
-------------------	--------------------------

shaft material	Glass
membrane glass	Y01
membrane resistance	< 500 MΩ

reference system	Ag/ AgCl/ KCl
reference diaphragm	one porous ceramic
bridge electrolyte	3.3 mol/L KCl
Refillable	Yes
junction	Double

electrode head	PG13.5 thread
cable length	5m
connector	BNC

cell constant (cm ⁻¹)	-
cell type	-

indicating metal	-
------------------	---

Storage	-
----------------	---